

Lightology

lightology.com
866-954-4489
06-24-26

Project: _____
 Company: _____
 Location: _____ Fixture Type: _____
 SPEC #: **EDG1530595**
 Approved On: _____ Approved By: _____

Verge Wall Static White Plaster-In LED System By PureEdge Lighting



Description

Verge Wall is a slim plaster-in aluminum channel with a 4 inch paintable aluminum backer plate. The channel highlights the transition where two drywall surfaces verge together, while emitting ambient illumination. Mounts directly to studs without joist modification and plasters into 5/8 inch or thicker drywall. Verge houses a single row of commercial grade LEDs in a variety of color temperatures and is sold in 5 foot increments up to 40 feet. Verge may be field-cut to any length.. Verge requires a Universal (UNI) power supply, sold separately. UNI power supply compatible with TRIAC, ELV and 0-10V dimming. Required power supply, dimmer control, and optional accessories sold separately. Product is built to order. Included Components: Junction Box, Adjustable Mounting Bars, Backer Plate, Verge Wall Channel(s), Drywall Screws, LED Strip, and Lens(es) .Note: **MAXIMUM LENGTHS BEFORE RE-FEEDING:** 2WDC, 2.5 watts per foot - 40' 5WDC, 4.4 watts per foot - 20' 7WDC, 7.5 watts per foot - 12'

Specifications

| | |
|-----------------------|------------------------|
| COLOR | N/A |
| BODY FINISH | White |
| WATTAGE | 10W |
| DIMMER | Low Voltage Electronic |
| DIMENSIONS | 60"L x 1.75"W x 4"H |
| INTEGRATED LED MODULE | 5 x LED/2W/24V LED |

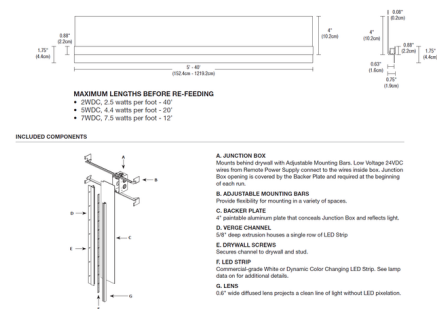
Technical Information

| | |
|-----------------|-------------|
| LAMP LIFE | 50000 hours |
| COLOR RENDERING | 92 CRI |
| LAMP COLOR | 2700K |
| LUMENS/WATT | 257.50 |
| LUMINOUS FLUX | 515 lumens |

Notes:



Shown in white



CLICK TO VIEW PRODUCT