

# Lightology

lightology.com  
866-954-4489  
04-28-26

Project: \_\_\_\_\_

Company: \_\_\_\_\_

Location: \_\_\_\_\_ Fixture Type: \_\_\_\_\_

SPEC #: **HRE1532915**

Approved On: \_\_\_\_\_ Approved By: \_\_\_\_\_

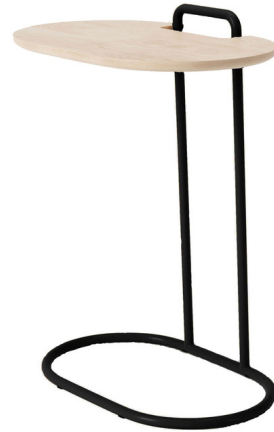
## Judy Laptop Table - Overstock

By Here Now

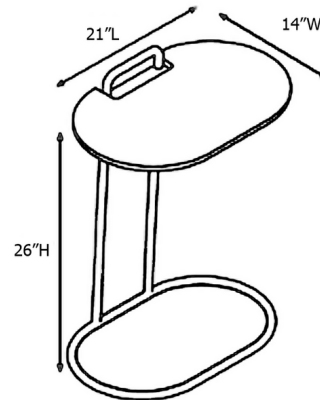


### Description

The Judy Laptop Table is on laptop duty with this multifunctional and easily relocatable table. Judy has an integrated handle that also functions as a kick stand for mobile devices and tablets. The steel tubular stand design provides strength while also being lightweight and portable. The generous solid ash wood top supports large laptops with room to spare. Cantilevered design allows for pull-up underneath sofas, lounges, and chairs.



Shown in carbon / solid ash



### Specifications

COLOR	Solid Ash
BODY FINISH	Carbon
WATTAGE	N/A
DIMMER	N/A
DIMENSIONS	21"W x 26"H x 14"D
BULB	N/A



CLICK TO VIEW PRODUCT

Notes: