

Lightology

lightology.com
866-954-4489
06-09-26

Project: _____
 Company: _____
 Location: _____ Fixture Type: _____
 SPEC #: **ELE1532940**
 Approved On: _____ Approved By: _____

Monorail Rigid Standoff - Overstock

By Visual Comfort Architectural

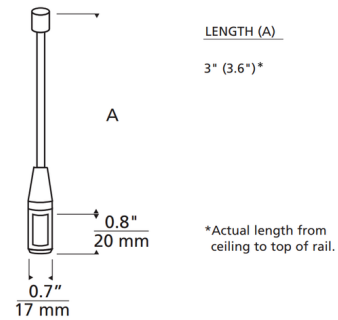


Description

The Monorail Rigid Standoff is designed for use with the Tech Lighting Monorail system. Rigid standoffs are compatible with various power feed options, listed in the chart pictured. Use standoffs at every 3 ft of Monorail run and at corners. They can be positioned to cover points where rails are joined. For the best look, place the last standoff 4-6 inches from the end of the rail and place standoffs symmetrically.



Shown in satin nickel



Specifications

COLOR	N/A
BODY FINISH	Satin Nickel
WATTAGE	N/A
DIMMER	N/A
DIMENSIONS	0.7"W x 3"H
BULB	N/A



CLICK TO VIEW PRODUCT

Notes: