

Lightology

lightology.com
866-954-4489
04-27-26

Project: _____

Company: _____

Location: _____ Fixture Type: _____

SPEC #: **EDG1532968**

Approved On: _____ Approved By: _____

Reveal Wall Wash End Feed Power Connector By PureEdge Lighting

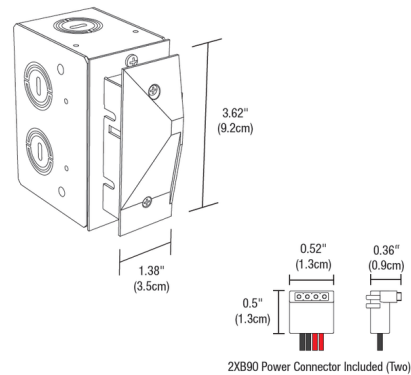


Description

The Reveal Wall Wash End Feed Power Connector is used when there is only one 24VDC power location. LED strip not included. Includes (2) End Caps (one left and one right side), Junction Box, Adjustable Mounting Bars, Channel Joiners, and (2) B90 Power Connectors. For use with Pure Lighting DIY Reveal Wall Wash Plaster-In LED system.



Shown in satin aluminum



Specifications

| | |
|-------------|-------------------------------|
| COLOR | N/A |
| BODY FINISH | Satin Aluminum |
| WATTAGE | N/A |
| DIMMER | N/A |
| DIMENSIONS | 6"L x 1.38"W x 3.62"H x 1.2"D |
| BULB | N/A |



CLICK TO VIEW PRODUCT

Notes: