

Lightology

lightology.com
866-954-4489
04-24-26

Project: _____

Company: _____

Location: _____ Fixture Type: _____

SPEC #: **SN21532989**

Approved On: _____ Approved By: _____

JC G4 Base 3.7W 12V Warm Dim 96CRI 2-PACK By SunLight2



Description

The Sunlight2 G4 Base 3.7 watt is an architectural-grade 12 Volt LED bulb featuring low blue emission and no flicker. Designed with Dim-to-Warm (3000K-1800K) color temperature, SunLight2 gradually changes from 3000K color temperature to a warm sunset 1800K ambiance. Phase dimming 100%-0.1%. Note: Sold as a 2-pack.

Specifications

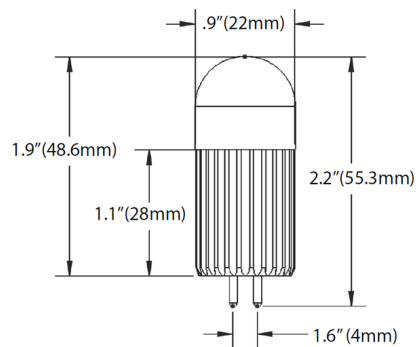
COLOR N/A
BODY FINISH White
WATTAGE 3.7W
DIMMER Low Voltage Electronic
DIMENSIONS 0.9"W x 1.9"H
BULB INCLUDED JC/G4 (bipin)/3.7W/12V LED

Technical Information

BEAM ANGLE 320°
COLOR RENDERING 96 CRI
LAMP COLOR 3000K Warm Dim
LUMENS/WATT 72.97
LUMINOUS FLUX 270 lumens



Shown in white



CLICK TO VIEW PRODUCT

Notes: