

# Lightology

lightology.com  
866-954-4489  
04-10-26

Project: \_\_\_\_\_  
Company: \_\_\_\_\_  
Location: \_\_\_\_\_ Fixture Type: \_\_\_\_\_  
SPEC #: **KUN1533003**  
Approved On: \_\_\_\_\_ Approved By: \_\_\_\_\_

## Kushi 10th Table Lamp

By kdIn



### Description

The Kushi 10th Table Lamp celebrates the tenth anniversary of kdIn's Kushi collection. Kushi 10th retains the softly curved opal glass shade of the original design but places it upon a sleek metal stem and round base for an updated look. The interplay of light and materials offers an intriguing contrast and versatile, essential aesthetic that will complement a variety of decor styles. A touch sensor on top of the lamp's stem allows the lamp to be dimmed to 3 different brightness levels and controls the Tunable White color temperature, which can be changed from warm 1800K to cool 3000K.

### Specifications

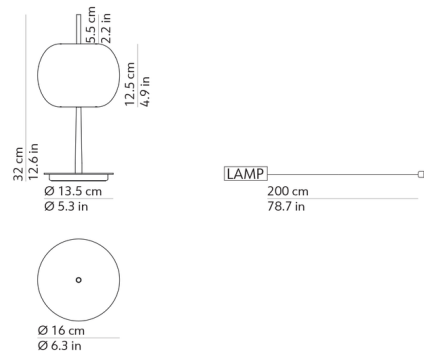
COLOR . . . . . Opal  
BODY FINISH . . . . . Black  
WATTAGE . . . . . 7W  
DIMMER . . . . . Included  
DIMENSIONS . . . . . 6.3"W x 12.6"H  
INTEGRATED LED MODULE . . . . . 1 x LED/7W/120-230V LED

### Technical Information

PRODUCT DIMENSIONS . . . . . Cord Length: 78.7"  
COLOR RENDERING . . . . . 90 CRI  
LAMP COLOR . . . . . 3000K  
LUMENS/WATT . . . . . 120.00  
LUMINOUS FLUX . . . . . 840 lumens



Shown in black / opal



CLICK TO VIEW PRODUCT

Notes: