

Lightology

lightology.com
866-954-4489
07-06-26

Project: _____
 Company: _____
 Location: _____ Fixture Type: _____
 SPEC #: **KUN1533030**
 Approved On: _____ Approved By: _____

Tratto Wall Sconce By kdIn



Description

The Tratto Wall Sconce creates intriguing plays of light and shadow on a wall with its opal glass diffuser and metal structure. The round glass is held slightly away from the wall by an elegantly curved arm to cast a halo of warm light backwards and a translucent glow from the front and sides of the glass. Tratto's blend of aesthetics and functionality makes it a great addition to hallways, living rooms, or bed rooms.

Specifications

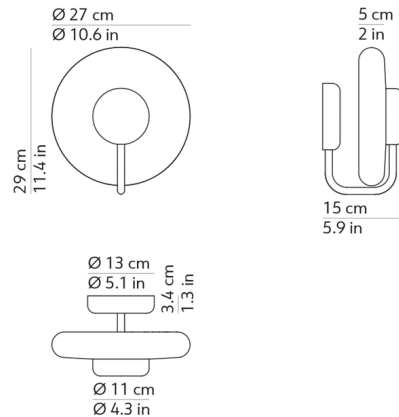
COLOR	N/A
BODY FINISH	Black
WATTAGE	14W
DIMMER	Low Voltage Electronic
DIMENSIONS	10.6"W x 11.4"H x 5.9"D
INTEGRATED LED MODULE	1 x LED/14W/120V LED

Technical Information

PRODUCT DIMENSIONS	Backplate: 5.1" diameter
COLOR RENDERING	90 CRI
LAMP COLOR	2700K
LUMENS/WATT	103.57
LUMINOUS FLUX	1450 lumens



Shown in black



CLICK TO VIEW PRODUCT

Notes: