

# Lightology

lightology.com  
866-954-4489  
04-18-26

Project: \_\_\_\_\_  
 Company: \_\_\_\_\_  
 Location: \_\_\_\_\_ Fixture Type: \_\_\_\_\_  
 SPEC #: **HUB1534889**  
 Approved On: \_\_\_\_\_ Approved By: \_\_\_\_\_

## Coral Ring Pendant By Hubbardton Forge



### Description

The Coral Ring Pendant brings a ethereal beauty to your interior space. Cast aluminum pieces are welded into a free flowing organic shape, casting warm shadows from the above LED light ring. Choose a Finish for the canopy and light bar, and a Color for the organic accent. Each accent is individually cast and will have slight variations from piece to piece. Sloped ceiling adaptable to 45 degrees. Lifetime Dimmable with Triac (standard), Low Voltage Electronic, or 0-10V Dimmers, sold separately. Limited Warranty when installed in residential setting. Handcrafted to order by skilled artisans in Vermont, USA.

### Specifications

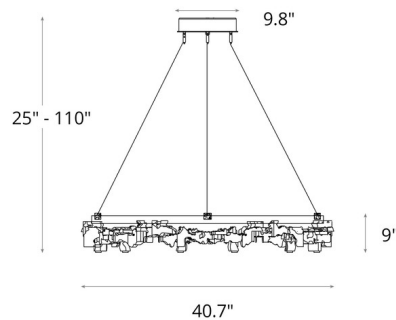
COLOR	..... Sterling
BODY FINISH	..... Oil Rubbed Bronze
WATTAGE	..... 97W
DIMMER	..... Standard 120V
DIMENSIONS	..... 40.7"W x 9"H
INTEGRATED LED MODULE	..... 1 x LED/97W/120-277V LED
COUNTRY OF ORIGIN	..... United States

### Technical Information

PRODUCT DIMENSIONS	..... Min/Max Adjustable Overall Height: 25" - 110"
LAMP LIFE	..... 50000 hours
COLOR RENDERING	..... 90 CRI
LAMP COLOR	..... 3000K
LUMENS/WATT	..... 30.93
LUMINOUS FLUX	..... 3000 lumens



Shown in oil rubbed bronze / sterling



CLICK TO VIEW PRODUCT

Notes: