

Lightology

lightology.com
866-954-4489
06-12-26

Project: _____

Company: _____

Location: _____ Fixture Type: _____

SPEC #: **RAB1535604**

Approved On: _____ Approved By: _____

William Wall Sconce

By Robert Abbey



Description

Illuminate your home with the William Wall Sconce, a perfect harmony of traditional charm and contemporary style. Crafted from durable metal, this elegant fixture features a sleek square backplate and an optional fabric shade, allowing you to tailor its look to your space. Whether enhancing a dining room, foyer, or hallway, the William Wall Sconce brings warmth, sophistication, and versatile style to any room. Note: A variety of shades are available upon request.

Specifications

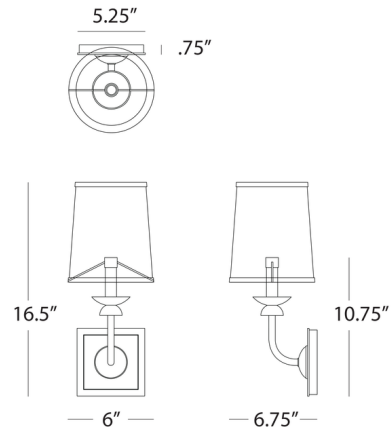
COLOR White
BODY FINISH Lacquered Burnished Brass
WATTAGE 9W
DIMMER Standard 120V
DIMENSIONS 6"W x 10.75"H x 6.75"D
BULB INCLUDED 1 x T8/Candelabra (E12)/9W/120V LED
COUNTRY OF ORIGIN Malaysia

Technical Information

LUMENS/WATT 600.00
LUMINOUS FLUX 5400 lumens



Shown in lacquered burnished brass / white



CLICK TO VIEW PRODUCT

Notes: