

Lightology

lightology.com
866-954-4489
04-17-26

Project: _____

Company: _____

Location: _____ Fixture Type: _____

SPEC #: **RAB1535607**

Approved On: _____ Approved By: _____

William Double Wall Sconce

By Robert Abbey

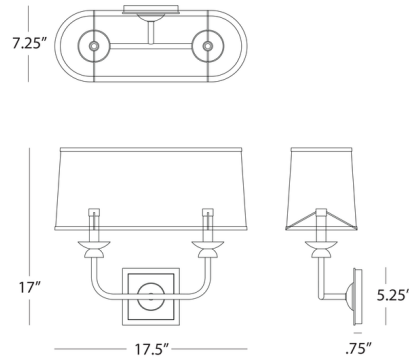


Description

Illuminate your home with the William Double Wall Sconce, a perfect harmony of traditional charm and contemporary style. Crafted from durable metal, this elegant fixture features a sleek square backplate and an optional fabric shade, allowing you to tailor its look to your space. Whether enhancing a dining room, foyer, or hallway, the William Wall Sconce brings warmth, sophistication, and versatile style to any room.



Shown in lacquered burnished brass / white



Specifications

COLOR	White
BODY FINISH	Lacquered Burnished Brass
WATTAGE	18W
DIMMER	Standard 120V
DIMENSIONS	13.5"W x 10.75"H x 5.375"D
BULB INCLUDED	2 x T8/Candelabra (E12)/9W/120V LED
COUNTRY OF ORIGIN	Malaysia

Technical Information

LUMENS/WATT	600.00
LUMINOUS FLUX	5400 lumens



CLICK TO VIEW PRODUCT

Notes: