

# Lightology

lightology.com  
866-954-4489  
04-24-26

Project: \_\_\_\_\_

Company: \_\_\_\_\_

Location: \_\_\_\_\_ Fixture Type: \_\_\_\_\_

SPEC #: **RAB1535610**

Approved On: \_\_\_\_\_ Approved By: \_\_\_\_\_

## William Curved Wall Sconce

By Robert Abbey

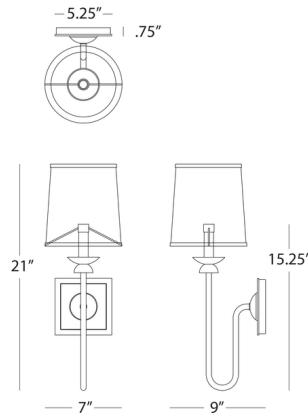


### Description

The William Curved Wall Sconce brings a perfect balance of contemporary flair and classic elegance to any space. Crafted from high-quality metal and featuring an optional fabric shade, this versatile fixture can be styled to complement your dining room, living room, or hallway, with or without the shade, offering customizable sophistication for your home. Note: A variety of shades are available upon request.



Shown in lacquered burnished brass / white



### Specifications

COLOR	White
BODY FINISH	Lacquered Burnished Brass
WATTAGE	9W
DIMMER	Standard 120V
DIMENSIONS	7"W x 15.25"H x 9"D
BULB INCLUDED	1 x T8/Candelabra (E12)/9W/120V LED
COUNTRY OF ORIGIN	Malaysia

### Technical Information

LUMENS/WATT	600.00
LUMINOUS FLUX	5400 lumens



CLICK TO VIEW PRODUCT

Notes: