

Lightology

lightology.com
866-954-4489
04-24-26

Project: _____
 Company: _____
 Location: _____ Fixture Type: _____
 SPEC #: **RAB1535613**
 Approved On: _____ Approved By: _____

William Tall Back Wall Sconce

By Robert Abbey



Description

The William wall sconce combines contemporary style with versatile functionality. Its sleek metal design and optional fabric shade make it a perfect fit for any dining room or living room. With the ability to use with or without the shade, this sconce offers flexibility in lighting to suit your mood or occasion. Note: A variety of shades available upon request.

Specifications

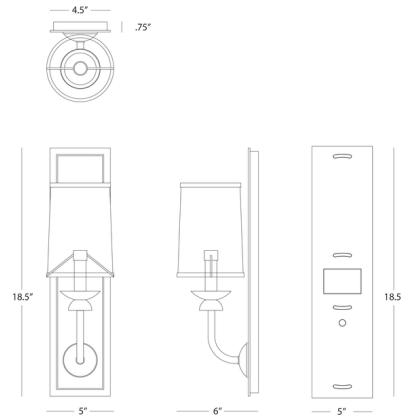
COLOR White
 BODY FINISH Lacquered Burnished Brass
 WATTAGE 9W
 DIMMER Standard 120V
 DIMENSIONS 5"W x 18.5"H x 6"D
 BULB INCLUDED 1 x T8/Candelabra (E12)/9W/120V LED
 COUNTRY OF ORIGIN Malaysia

Technical Information

LUMENS/WATT 600.00
 LUMINOUS FLUX 5400 lumens



Shown in lacquered burnished brass / white



CLICK TO VIEW PRODUCT

Notes: