

Lightology

lightology.com
866-954-4489
06-08-26

Project: _____

Company: _____

Location: _____ Fixture Type: _____

SPEC #: **ZLT1536252**

Approved On: _____ Approved By: _____

Renaud Wall Sconce

By Z-Lite



Description

At the edge of a mirror or along a hallway wall, this one-light LED wall sconce introduces a compact accent of deep metal and clouded glass. The integrated light source casts a focused, flattering glow that works beautifully for bedtime reading, getting ready in a powder room, or guiding late-night trips down the hall. Used in pairs beside a vanity or spaced in a sequence along a corridor, it stitches the space together with a calm, contemporary touch. Features color-select technology which allows user to select between 2700K, 3000K, 3500K, 4000K and 5000K temperature options.

Specifications

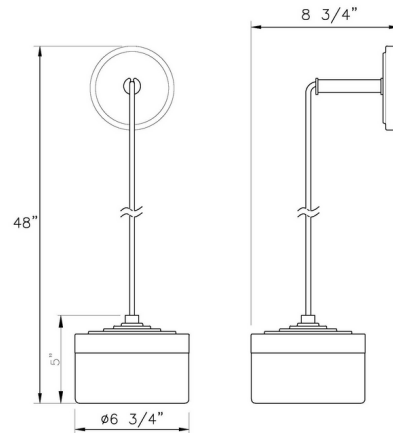
COLOR Feathered White
BODY FINISH Matte Black
WATTAGE 18W
DIMMER Low Voltage Electronic
DIMENSIONS 6.75"W x 11"H x 8.75"D
INTEGRATED LED MODULE 1 x LED/18W/120V LED
COUNTRY OF ORIGIN India

Technical Information

COLOR RENDERING 90 CRI
LAMP COLOR CCT Select
LUMENS/WATT 46.67
LUMINOUS FLUX 840 lumens



Shown in matte black / feathered white



CLICK TO VIEW PRODUCT

Notes: