

# Lightology

lightology.com  
866-954-4489  
06-04-26

Project: \_\_\_\_\_  
 Company: \_\_\_\_\_  
 Location: \_\_\_\_\_ Fixture Type: \_\_\_\_\_  
 SPEC #: **MAR1536299**  
 Approved On: \_\_\_\_\_ Approved By: \_\_\_\_\_

## Ambrosia Pro Linear Pendant By Marset



### Description

The Ambrosia Pro Linear Pendant is a contemporary re-imagining of classic Linestra-style linear lamps that showcases how a function-forward, technical design can also offer a poetic decorative expression. The Ambrosia Pro tweaks the design of the original Ambrosia Pendant to optimize it for workspaces where more controlled lighting is needed. The tubular pendant includes a cell structure with independent lenses to focus light downward on the surface below while minimizing glare. Ambrosia's sleek metal frame gracefully curves upward into the downstem which supports the pendant from the ceiling. Note: The standard overall height of the fixture is 10.5 inches. Additional downrods to extend the drop length can be purchased separately. The rectangular surface mounted canopy requires a 1-gang outlet sized junction box.

### Specifications

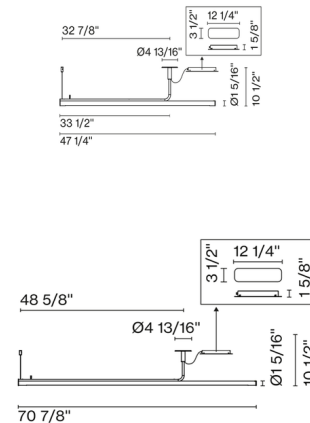
COLOR	Black
BODY FINISH	Black
WATTAGE	36.6W
DIMMER	0-10V
DIMENSIONS	47.3"L x 1.3"W x 10.5"H
INTEGRATED LED MODULE	1 x LED/36.6W/120-277V LED
COUNTRY OF ORIGIN	Spain

### Technical Information

COLOR RENDERING	90 CRI
LAMP COLOR	3000K
LUMENS/WATT	87.46
LUMINOUS FLUX	3201 lumens



Shown in black / black



CLICK TO VIEW PRODUCT

Notes: