

Lightology

lightology.com
866-954-4489
04-25-26

Project: _____
Company: _____
Location: _____ Fixture Type: _____
SPEC #: **MAR1536354**
Approved On: _____ Approved By: _____

Lauro Plug-In Wall Sconce By Marset



Description

Designed by P. Aragay and J. Prez Mateo and originally released in 1973, the Lauro Plug-In Wall sconce is a testament to the idea that good design is timeless. Lauro is composed of a methacrylate dome shade and sleek steel frame, two classic materials that recall the design language of the past. However, Lauro's streamlined silhouette and function adjustability allow it to effortlessly blend into both modern and retro interiors alike. The shade can be raised and lowered along the frame, as well as rotated side to side to aim its light precisely where it is needed. On/off toggle switch located on lampshade.

Specifications

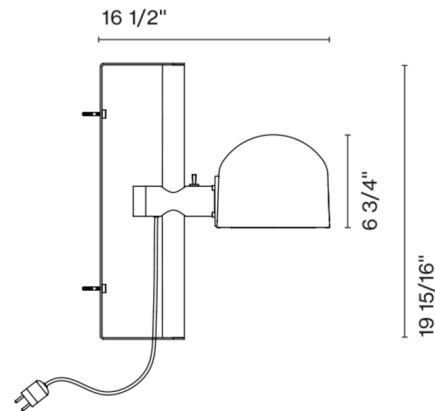
COLOR	Black
BODY FINISH	Chrome
WATTAGE	7.5W
DIMMER	N/A
DIMENSIONS	6.75"W x 19.93"H x 16.5"D
BULB NOT INCLUDED	1 x A19/Medium (E26)/7.5W/120V LED
COUNTRY OF ORIGIN	Spain

Technical Information

PRODUCT DIMENSIONS	Cord Length: 98.4"
--------------------	--------------------



Shown in chrome / black



CLICK TO VIEW PRODUCT

Notes: