

Lightology

lightology.com
866-954-4489
06-15-26

Project: _____
Company: _____
Location: _____ Fixture Type: _____
SPEC #: **CPT1536479**
Approved On: _____ Approved By: _____

Ian Wall Sconce By Capital Lighting



Description

This modern wall sconce brings a refined, understated look with its clean lines and thoughtful detailing. Its elongated cylindrical form is accented by subtle vertical fluting, adding texture and depth without overwhelming the design. Mounted over a simple backplate, the fixture delivers a balanced, contemporary presence that works well in a variety of interiors. Integrated LED technology provides efficient, streamlined illumination, making it both a functional and stylish lighting solution. It can be installed vertically or horizontally, offering added flexibility to suit a variety of layouts and design preferences.

Specifications

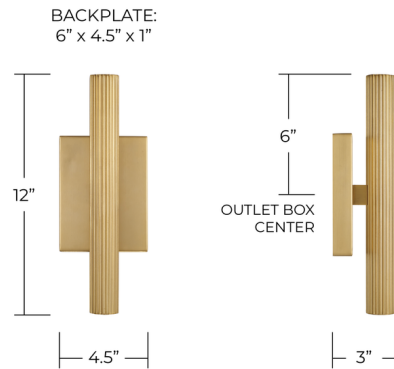
COLOR	N/A
BODY FINISH	Aged Brass
WATTAGE	20W
DIMMER	Standard 120V
DIMENSIONS	4.5"W x 12"H x 3"D
INTEGRATED LED MODULE	2 x LED/10W/120V LED
COUNTRY OF ORIGIN	Viet Nam

Technical Information

COLOR RENDERING	90 CRI
LAMP COLOR	3000K
LUMENS/WATT	50.00
LUMINOUS FLUX	500 lumens



Shown in aged brass



CLICK TO VIEW PRODUCT

Notes: