

Lightology

lightology.com
866-954-4489
07-02-26

Project: _____

Company: _____

Location: _____ Fixture Type: _____

SPEC #: **KZC1536809**

Approved On: _____ Approved By: _____

Void Wall Sconce By Kuzco Lighting



Description

A statement on restraint and balance, the Void Wall Sconce is defined by the negative space it creates. One sculpted globe divides to reveal light suspended between the two halves. This dramatic sconce is perfect for a hallway or powder room.

Specifications

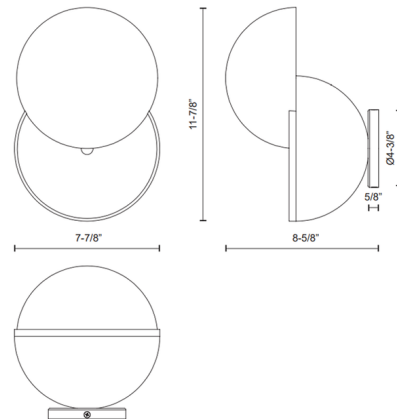
COLOR N/A
BODY FINISH Pearl White
WATTAGE 9W
DIMMER Low Voltage Electronic
DIMENSIONS 7.88"W x 11.88"H x 8.63"D
INTEGRATED LED MODULE 1 x LED/9W/120-277V LED
COUNTRY OF ORIGIN China

Technical Information

LAMP LIFE 50000 hours
COLOR RENDERING 90 CRI
LAMP COLOR 3000K
LUMENS/WATT 85.00
LUMINOUS FLUX 765 lumens



Shown in pearl white



CLICK TO VIEW PRODUCT

Notes: