

# Lightology

lightology.com  
866-954-4489  
04-25-26

Project: \_\_\_\_\_

Company: \_\_\_\_\_

Location: \_\_\_\_\_ Fixture Type: \_\_\_\_\_

SPEC #: **TCS1537727**

Approved On: \_\_\_\_\_ Approved By: \_\_\_\_\_

## Pinnacle Outdoor Wall Sconce By The CopperSmith

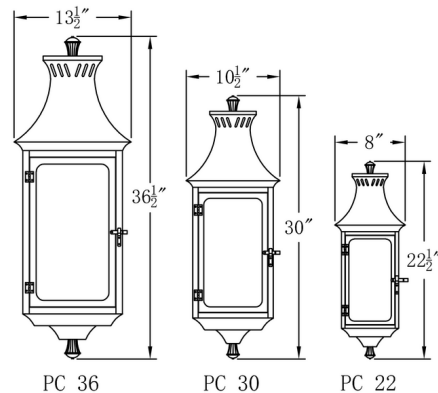


### Description

The Pinnacle lantern is crafted as a wall-mounted lantern, built from solid copper and tempered glass designed to age gracefully with a natural patina. It provides electric illumination for everyday exterior use and can also be configured with yoke mount, ceiling mount, post mount, pier mount to suit a wide range of architectural applications.



Shown in antique copper / clear



### Specifications

COLOR	Clear
BODY FINISH	Antique Copper
WATTAGE	18W
DIMMER	Standard 120V
DIMENSIONS	8"W x 22.5"H x 10.63"D
BULB NOT INCLUDED	2 x CA10/Candelabra (E12)/9W/120V LED
COUNTRY OF ORIGIN	China



CLICK TO VIEW PRODUCT

Notes: