

# Lightology

lightology.com  
866-954-4489  
05-25-26

Project: \_\_\_\_\_

Company: \_\_\_\_\_

Location: \_\_\_\_\_ Fixture Type: \_\_\_\_\_

SPEC #: **EDG1538311**

Approved On: \_\_\_\_\_ Approved By: \_\_\_\_\_

## DIY TruArch 1 Straight to Arch Channel Connector

By PureEdge Lighting



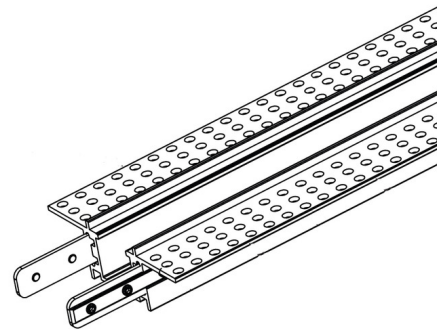
### Description

The DIY (Do-It-Yourself) TruArch Straight to Arch Channel Connector is a plaster-in straight channel for connecting to TruArch flex channels. LED Strip and Lens (not included) is installed flat on the bottom of the channel. Offered in various lengths and are field-cutable.

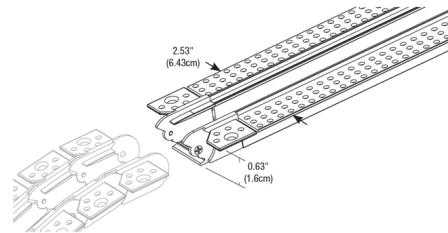
### Specifications

COLOR	N/A
BODY FINISH	White
WATTAGE	N/A
DIMMER	N/A
DIMENSIONS	12" L x 2.53" W x 0.63" H
BULB	N/A

Notes:



Shown in white



CLICK TO VIEW PRODUCT