

Lightology

lightology.com
866-954-4489
07-01-26

Project: _____

Company: _____

Location: _____ Fixture Type: _____

SPEC #: **LC41542916**

Approved On: _____ Approved By: _____

Levels Color-Select Double Pendant

By LedsC4



Description

The charisma of a balanced luminaire, the Levels Color-Select Pendant boasts an innate charisma, in any of its compositions, not only thanks to the fineness of its shapes, but also for the warmth of its light and the balance it transmits. Also features a color-select switch which allows user to select between 2700K, 3000K, and 4000K color temperature options.

Specifications

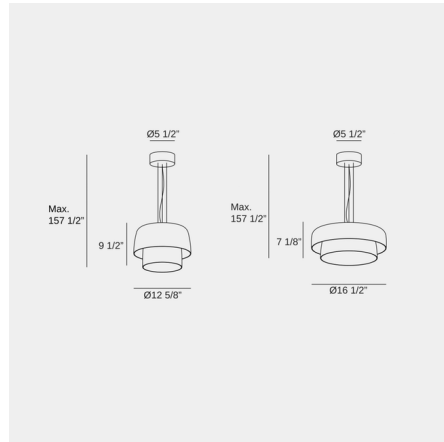
COLOR Smoke
BODY FINISH Black
WATTAGE 19W
DIMMER 0-10V
DIMENSIONS 12.62"W x 9.5"H
INTEGRATED LED MODULE 1 x LED/19W/120-277V LED

Technical Information

COLOR RENDERING 92 CRI
LAMP COLOR CCT Select
LUMENS/WATT 66.05
LUMINOUS FLUX 1255 lumens



Shown in black / smoke



CLICK TO VIEW PRODUCT

Notes: