

# Lightology

lightology.com  
866-954-4489  
04-25-26

Project: \_\_\_\_\_

Company: \_\_\_\_\_

Location: \_\_\_\_\_ Fixture Type: \_\_\_\_\_

SPEC #: **LC41542921**

Approved On: \_\_\_\_\_ Approved By: \_\_\_\_\_

## Levels Color-Select Triple Pendant

By LedsC4



### Description

The charisma of a balanced luminaire, the Levels Color-Select Pendant boasts an innate charisma, in any of its compositions, not only thanks to the fineness of its shapes, but also for the warmth of its light and the balance it transmits. Also features a color-select switch which allows user to select between 2700K, 3000K, and 4000K color temperature options.

### Specifications

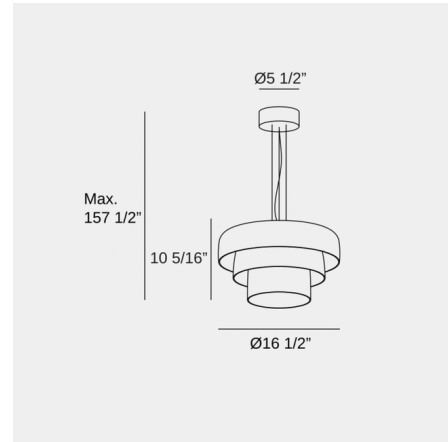
COLOR . . . . . Green  
BODY FINISH . . . . . Black  
WATTAGE . . . . . 19W  
DIMMER . . . . . 0-10V  
DIMENSIONS . . . . . 16.5"W x 10.31"H  
INTEGRATED LED MODULE . . . . . 1 x LED/19W/120-277V LED

### Technical Information

COLOR RENDERING . . . . . 92 CRI  
LAMP COLOR . . . . . CCT Select  
LUMENS/WATT . . . . . 66.05  
LUMINOUS FLUX . . . . . 1255 lumens



Shown in black / green



CLICK TO VIEW PRODUCT

Notes: