

Lightology

lightology.com
866-954-4489
04-22-26

Project: _____

Company: _____

Location: _____ Fixture Type: _____

SPEC #: **LPA1542947**

Approved On: _____ Approved By: _____

Doi Pendant By Luceplan



Description

The Doi Pendant features a slim cylindrical spotlight housing an integrated LED light source paired with a circular iron disk. The cylinder can attach to the disc magnetically, allowing it to be angled in a variety of positions to aim its light. With the optional pendulum accessory, sold separately, the disc can also act as a counterweight to hold the cylindrical pendant in place with tension. No matter how it is arranged, Doi will provide a stylish and functional accent to any interior with its refined, geometric design.

Specifications

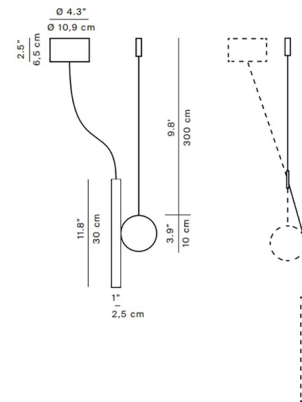
COLOR Ribbed White
BODY FINISH Brass
WATTAGE 8W
DIMMER 0-10V
DIMENSIONS 4.9"W x 11.8"H x 1"D
INTEGRATED LED MODULE 1 x LED/8W/120-277V LED
COUNTRY OF ORIGIN Italy

Technical Information

COLOR RENDERING 90 CRI
LAMP COLOR 2700K
LUMENS/WATT 36.38
LUMINOUS FLUX 291 lumens



Shown in brass / ribbed white



CLICK TO VIEW PRODUCT

Notes: