

Lightology

lightology.com
866-954-4489
07-08-26

Project: _____

Company: _____

Location: _____ Fixture Type: _____

SPEC #: **ET21545741**

Approved On: _____ Approved By: _____

Scion Pendant

By Et2



Description

Full of angular, diverging lines, the Scion Pendant transforms a flowing tree branch into a modern piece. Each branch features an acrylic diffuser with a line of bright, even LED illumination. Perfect for a powder room, kitchen, or anywhere you need a touch of geometric whimsy. Dimmable via TRIAC, ELV, or 0-10V dimmers.

Specifications

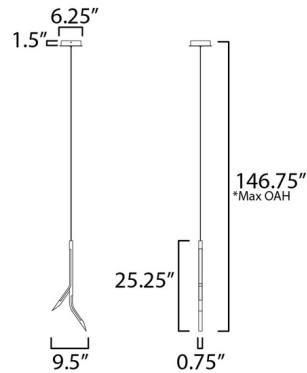
COLOR Frost
BODY FINISH Weathered Brass
WATTAGE 10W
DIMMER Low Voltage Electronic
DIMENSIONS 9.5"W x 25.25"H
INTEGRATED LED MODULE 2 x LED/5W/120-277V LED

Technical Information

PRODUCT DIMENSIONS Cable: 120"
LAMP LIFE 30000 hours
COLOR RENDERING 90 CRI
LAMP COLOR 3000K
LUMENS/WATT 80.00
LUMINOUS FLUX 400 lumens



Shown in weathered brass / frost



*max overall height



CLICK TO VIEW PRODUCT

Notes: