

Lightology

lightology.com
866-954-4489
06-29-26

Project: _____

Company: _____

Location: _____ Fixture Type: _____

SPEC #: **FOS1545903**

Approved On: _____ Approved By: _____

Chouchin 2 Ceiling Light

By Foscarini

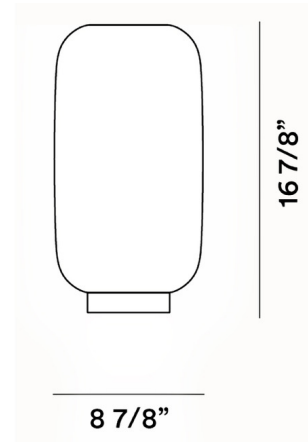


Description

The Chouchin Flush Mount reimagines the traditional Japanese paper lantern with a modern flair. This fixture enhances any room with its cylindrical silhouette of blown glass.



Shown in verde green / white



Specifications

COLOR White
BODY FINISH Verde Green
WATTAGE 25W
DIMMER Standard 120V
DIMENSIONS 8.87"W x 17"H
BULB NOT INCLUDED 1 x A19/Medium (E26)/25W/120V LED



CLICK TO VIEW PRODUCT

Notes: