

# Lightology

lightology.com  
866-954-4489  
05-20-26

Project: \_\_\_\_\_

Company: \_\_\_\_\_

Location: \_\_\_\_\_ Fixture Type: \_\_\_\_\_

SPEC #: **FOS1545906**

Approved On: \_\_\_\_\_ Approved By: \_\_\_\_\_

## Chouchin 3 Ceiling Light

By Foscarini

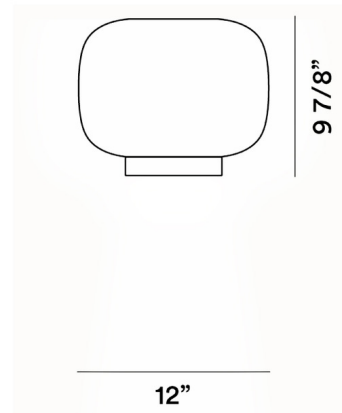


### Description

The Chouchin Flush Mount Ceiling Light reimagines the traditional Japanese paper lantern with a modern flair. This fixture enhances any room with its rounded silhouette of blown glass.



Shown in white / white



### Specifications

COLOR . . . . . White  
BODY FINISH . . . . . White  
WATTAGE . . . . . 25W  
DIMMER . . . . . Standard 120V  
DIMENSIONS . . . . . 12"W x 9.87"H  
BULB NOT INCLUDED . . . . . 1 x A19/Medium (E26)/25W/120V LED



CLICK TO VIEW PRODUCT

Notes: