

Lightology

lightology.com
866-954-4489
04-25-26

Project: _____

Company: _____

Location: _____ Fixture Type: _____

SPEC #: **LTF1547080**

Approved On: _____ Approved By: _____

Lighthouse I Bollard Light

By LTF

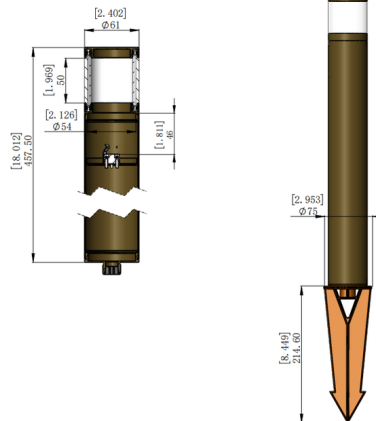


Description

The Lighthouse I Bollard Light is the perfect solution for path lighting in both residential and commercial settings. A wraparound frosted glass panel illuminates 360 degrees horizontally to brighten paths, driveways, and other broad outdoor areas. A heavy duty PVC stake is included for easy installation. Requires a 12V transformer (SKU: MTA75WA1215VREO), sold separately.



Shown in antique brass



Specifications

COLOR	N/A
BODY FINISH	Antique Brass
WATTAGE	2W
DIMMER	N/A
DIMENSIONS	2.4"W x 18"H
BULB NOT INCLUDED	1 x MR16/GU5.3 (bipin)/2W/12V LED



CLICK TO VIEW PRODUCT

Notes: