

# Lightology

lightology.com  
866-954-4489  
06-04-26

Project: \_\_\_\_\_

Company: \_\_\_\_\_

Location: \_\_\_\_\_ Fixture Type: \_\_\_\_\_

SPEC #: **OLC156030**

Approved On: \_\_\_\_\_ Approved By: \_\_\_\_\_

## Lanternina Pendant

By Oluce Srl

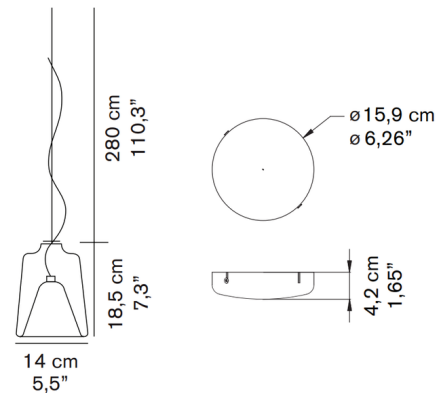


### Description

Simple yet elegant, the Lanternina Pendant is composed of two bell-shaped Murano glass diffusers stacked together. The outer transparent shade houses the inner sand-blasted diffuser which softly diffuses the light.



Shown in white / transparent



### Specifications

COLOR . . . . . Transparent  
BODY FINISH . . . . . White  
WATTAGE . . . . . 4W  
DIMMER . . . . . Standard 120V  
DIMENSIONS . . . . . 5.5"W x 7.3"H  
BULB NOT INCLUDED . . . . . 1 x B10/Candelabra (E12)/4W/120V LED  
COUNTRY OF ORIGIN . . . . . Italy

### Technical Information

PRODUCT DIMENSIONS . . . . . Cable: 110"L



CLICK TO VIEW PRODUCT

Notes: