

Lightology

lightology.com
866-954-4489
05-17-26

Project: _____
Company: _____
Location: _____ Fixture Type: _____
SPEC #: **VCG1567611**
Approved On: _____ Approved By: _____

Antigua Cordless Table Lamp

By Visual Comfort Signature



Description

The Antigua Cordless Table Lamp introduces the enduring elegance of nature into your living area. Crafted from hand-woven natural abaca, it envelops a trapezoidal frame, is topped with a tapered linen shade, creating inviting shadows throughout your space. Remove cordless light module from lamp and charge using provided USB-C cord. Touch dimmer is on the light module to adjust between high, medium, and low settings. Includes a USB-C to USB-A adapter and charging plug. For best results, fully charge the battery before using.

Specifications

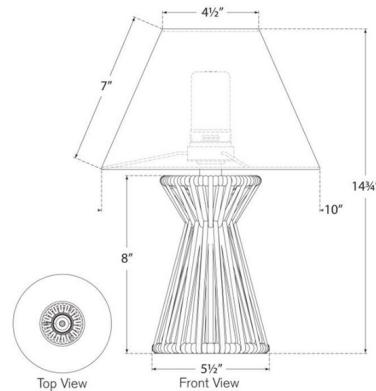
COLOR	Linon
BODY FINISH	Natural Abaca
WATTAGE	1.7W
DIMMER	Included
DIMENSIONS	10"W x 14.75"H
INTEGRATED LED MODULE	1 x LED/1.7W/120V LED
COUNTRY OF ORIGIN	Philippines

Technical Information

LAMP COLOR	2700K
LUMENS/WATT	35.29
LUMINOUS FLUX	.60 lumens



Shown in natural abaca / linen



CLICK TO VIEW PRODUCT

Notes: