

# Lightology

lightology.com  
866-954-4489  
06-29-26

Project: \_\_\_\_\_  
 Company: \_\_\_\_\_  
 Location: \_\_\_\_\_ Fixture Type: \_\_\_\_\_  
 SPEC #: **EST1571185**  
 Approved On: \_\_\_\_\_ Approved By: \_\_\_\_\_

## Cupolina Wall Sconce By Estiluz



### Description

The Cupolina Wall Sconce features a rectangular frame with rounded edges and a dome-shaped shade with an integrated LED. A shelf along the bottom of the frame provides a handy spot to store keys or a phone or to display decorative objects. Cupolina is a perfect fit in hallways or bedrooms. Shelf max weight capacity: 4lbs.

### Specifications

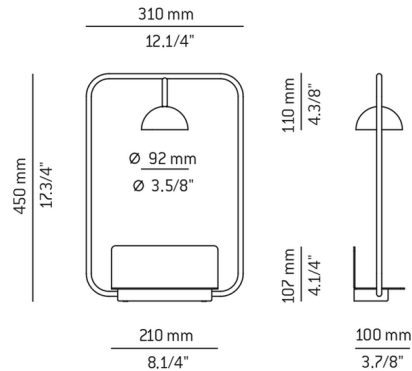
COLOR	N/A
BODY FINISH	Matte Black
WATTAGE	6.2W
DIMMER	Not Dimmable
DIMENSIONS	12.25"W x 17.75"H x 3.88"D
INTEGRATED LED MODULE	1 x LED/6.2W/120V LED
COUNTRY OF ORIGIN	Spain

### Technical Information

PRODUCT DIMENSIONS	Backplate: 8.25"W x 4.25"H
COLOR RENDERING	90 CRI
LAMP COLOR	2700K
LUMENS/WATT	116.94
LUMINOUS FLUX	725 lumens



Shown in matte black



CLICK TO VIEW PRODUCT

Notes: