

Lightology

lightology.com
866-954-4489
07-06-26

Project: _____
Company: _____
Location: _____ Fixture Type: _____
SPEC #: **FAR1571328**
Approved On: _____ Approved By: _____

Martinica Plug-In Swing Arm Wall Sconce By FARO Barcelona



Description

The Martinica Plug-In Swing Arm Wall Sconce features a half-cylinder shade that wraps around the lamp to produce optimal light for any situation. The shade is attached to a swinging arm that moves side to side to direct light where it is needed for reading or other tasks. On/off switch located on cord.

Specifications

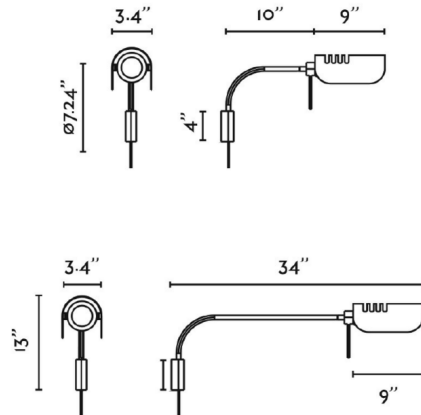
COLOR Black
BODY FINISH Black
WATTAGE 7W
DIMMER N/A
DIMENSIONS 3.4"W x 7.24"H x 19"D
BULB NOT INCLUDED 1 x A19/Medium (E26)/7W/120V LED
COUNTRY OF ORIGIN China

Technical Information

PRODUCT DIMENSIONS Cord Length: 98.4"



Shown in black / black



CLICK TO VIEW PRODUCT

Notes: