

# Lightology

lightology.com  
866-954-4489  
07-04-26

Project: \_\_\_\_\_

Company: \_\_\_\_\_

Location: \_\_\_\_\_ Fixture Type: \_\_\_\_\_

SPEC #: **MFR1572490**

Approved On: \_\_\_\_\_ Approved By: \_\_\_\_\_

## Austen Color-Select Pendant

By Modern Forms



### Description

The Austen Color-Select Pendant is a study in architectural elegance, blending sleek lines with refined materials. Luminous white jade diffusers are surrounded by a geometric frame, and glow with soft warmth. Whether illuminating a dining table or kitchen, the Austen brings enduring style. LED Color select options include 2700K, 3000K, 3500K, and 4000K.

### Specifications

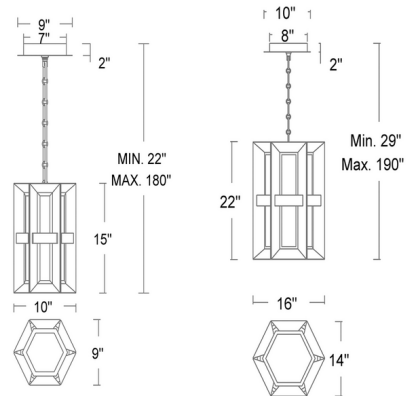
COLOR	N/A
BODY FINISH	Aged Brass
WATTAGE	55.6W
DIMMER	Standard 120V
DIMENSIONS	10"W x 15"H
INTEGRATED LED MODULE	1 x LED/55.6W/120-277V LED
COUNTRY OF ORIGIN	Thailand

### Technical Information

PRODUCT DIMENSIONS	Chain: 40"
LAMP LIFE	54000 hours
COLOR RENDERING	.90 CRI
LAMP COLOR	. CCT Select
LUMENS/WATT	21.42
LUMINOUS FLUX	1191 lumens



Shown in aged brass



CLICK TO VIEW PRODUCT

Notes: