

Lightology

lightology.com
866-954-4489
06-30-26

Project: _____
 Company: _____
 Location: _____ Fixture Type: _____
 SPEC #: **MFR1572506**
 Approved On: _____ Approved By: _____

Whitt Color-Select Wall Sconce By Modern Forms



Description

The Whitt Color-Select Wall Sconce blends modern style with industrial inspiration. Glossy hazy glass tubes mimic vintage bulbs and offer bright, even illumination. A textured knurled accent and metal detailing elevate this functional LED piece into a captivating design statement. LED color select options include 2700K, 3000K, 3500K, and 4000K.

Specifications

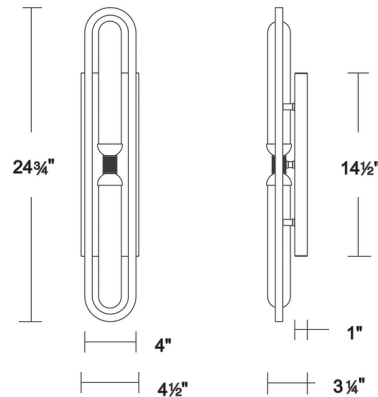
COLOR	Opal
BODY FINISH	Antique Nickel
WATTAGE	10.4W
DIMMER	Low Voltage Electronic
DIMENSIONS	4"W x 24.75"H x 3.25"D
INTEGRATED LED MODULE	2 x LED/5.2W/120-277V LED
COUNTRY OF ORIGIN	China

Technical Information

LAMP LIFE	54000 hours
COLOR RENDERING	90 CRI
LAMP COLOR	CCT Select
LUMENS/WATT	118.46
LUMINOUS FLUX	616 lumens



Shown in antique nickel / opal



CLICK TO VIEW PRODUCT

Notes: