

# Lightology

lightology.com  
866-954-4489  
06-04-26

Project: \_\_\_\_\_

Company: \_\_\_\_\_

Location: \_\_\_\_\_ Fixture Type: \_\_\_\_\_

SPEC #: **CER157281**

Approved On: \_\_\_\_\_ Approved By: \_\_\_\_\_

## Abeo LED Pendant

By Cerno



### Description

The Abeo LED Pendant was created from a simple geometric sculpture that lets light inside and sneak out through the floating walnut planes creating a playful contrast of light and shadow that makes this fixture such a dynamic piece. Available with a White finish complemented by an Oiled Walnut or Dark Stained Walnut shade and frosted polymer diffuser. 2700K and 3500K color temperature options available. Space must be allowed in junction box for LED driver. UL and cUL listed. Made in the USA. Prop 65.

### Specifications

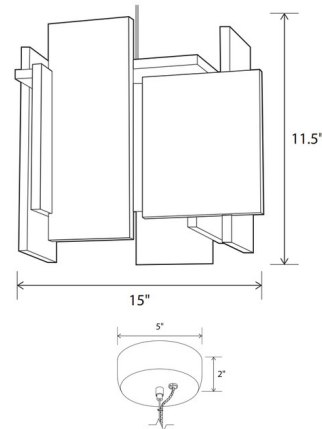
|                       |                        |
|-----------------------|------------------------|
| COLOR                 | Oiled Walnut           |
| BODY FINISH           | Brushed Aluminum       |
| WATTAGE               | 13W                    |
| DIMMER                | Low Voltage Electronic |
| DIMENSIONS            | 15"W x 11.4"H x 15"D   |
| INTEGRATED LED MODULE | 1 x LED/13W/120V LED   |
| COUNTRY OF ORIGIN     | United States          |

### Technical Information

|                    |                  |
|--------------------|------------------|
| PRODUCT DIMENSIONS | Cord Length: 72" |
| COLOR RENDERING    | 90 CRI           |
| LAMP COLOR         | 2700K            |
| LUMENS/WATT        | 96.15            |
| LUMINOUS FLUX      | 1250 lumens      |



Shown in brushed aluminum / oiled walnut



CLICK TO VIEW PRODUCT

Notes: