

Lightology

lightology.com
866-954-4489
04-13-26

Project: _____

Company: _____

Location: _____ Fixture Type: _____

SPEC #: **LPL160744**

Approved On: _____ Approved By: _____

PH 4 1/2 - 4 Glass Pendant

By Louis Poulsen



Description

The PH 3/2 Pendant, designed by Poul Henningsen, is based on the principle of a reflective three shade system, which directs the majority of the light downwards. The shades are made of hand-blown opal three layer glass, which is glossy on top and sandblasted matte on the underside, giving a soft light distribution. Available in Opal glass with a Chrome finish.

Specifications

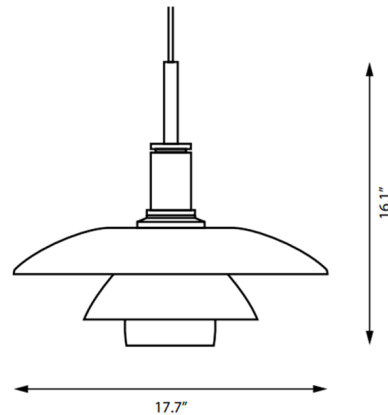
COLOR Opal
BODY FINISH Chrome
WATTAGE 22W
DIMMER Standard 120V
DIMENSIONS 17.7"W x 16.1"H
BULB NOT INCLUDED 1 x A21/Medium (E26)/22W/120V LED
OTHER BULB OPTIONS 1 x A21/Medium (E26)/120V LED

Technical Information

PRODUCT DIMENSIONS Adjustable Cable Length: 144"



Shown in chrome / opal



CLICK TO VIEW PRODUCT

Notes: