

**BRAND**

Soraa

**DESCRIPTION**

Premium 2 9.8 Watt 120 volt LED GU10 base MR16 from Soraa with 36 degree beam angle in 3000K color temperature with 80CRI. Equivalent to a 50 watt halogen. 35,000 hour average lamp life. Saves over 80 percent of energy compared to standard halogen lamps. LED retrofit lamp to replace 120 volt MR16 GU10 base halogen lamps in recessed downlights, track lighting, and other applications. Dimmable to 20 percent with specific approved dimmers and transformers (see attached manufacturer specification for compatibility). UL listed. Suitable for indoor and outdoor enclosed and damp location fixtures. Note: This is a discontinued item and limited to quantity on hand

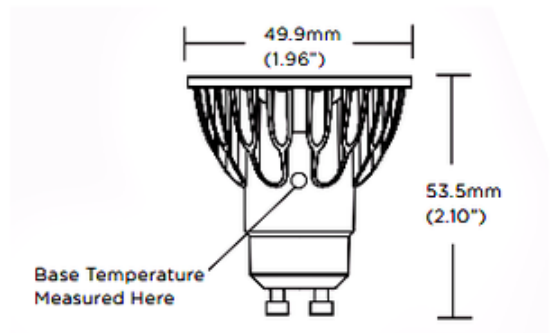


<b>SHADE COLOR</b>	N/A
<b>BODY FINISH</b>	N/A
<b>WATTAGE</b>	9.8W
<b>DIMMER</b>	Dimmable
<b>DIMENSIONS</b>	1.96"W x 2.19"H
<b>LAMP</b>	1 x MR16/GU10/9.8W/120V LED

*Technical Information*

<b>LUMINOUS FLUX</b>	500 lumens
<b>LUMENS/WATT</b>	51.02
<b>LAMP COLOR</b>	3000 K
<b>COLOR RENDERING</b>	80 CRI

**ITEM NUMBER** SRA161668



COMPANY	PROJECT	FIXTURE TYPE	APPROVED BY	DATE