



DESIGNER

Mariano Fortuny

BRAND

Venetian Designs

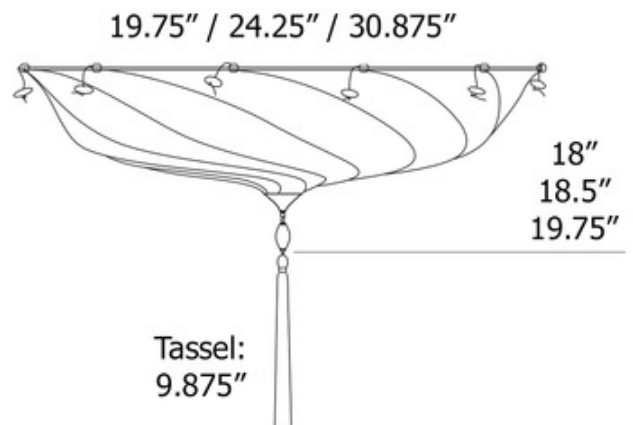
DESCRIPTION

Scudo Saraceno ceiling in ivory plain silk with a brass finish and a dark brown canopy is a stylistic Turkish - Venetian motif. Available in yellow orche, sage, salmon or ivory with classico, serpentine or carduus patterns or an off white canopy. Large, medium or small suspension and ceiling versions available. Three B10 40 or 60 watt incandescent lamps included. Hand made in Italy.



Shown in: Brass / Ivory Plain

SHADE COLOR	Ivory Plain
BODY FINISH	Brass
WATTAGE	120W
DIMMER	Standard 120V
DIMENSIONS	19.75"W x 18"H
BULB NOT INCLUDED	
LAMP	3 x B10/Candelabra (E12)/40W/120V Incandescent 3 x B10/Candelabra (E12)/120V LED



SPEC # VEN16603

COMPANY	PROJECT	FIXTURE TYPE	APPROVED BY	DATE