

**DESIGNER**

Mariano Fortuny

**BRAND**

Venetia Studium

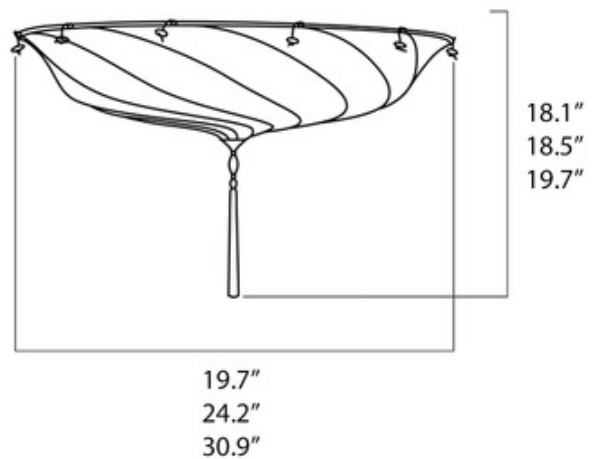
**DESCRIPTION**

The Scudo Saraceno Silk Ceiling Light is inspired by the Saraceno Shield from Medieval times. The delicate silk is complemented by striking details including Murano beads with a brass structure finish and a dark brown canopy in a stylistic Turkish -Venetian motif. Patterns available in Classic or Serpentine in Gold, Salmon, Sage Grey, Ivory or Light Blue, or Plain in Ivory. Made in Italy.



*Shown in: Brass / Ivory Classic Silk*

<b>SHADE COLOR</b>	Ivory Classic Silk
<b>BODY FINISH</b>	Brass
<b>WATTAGE</b>	225W
<b>DIMMER</b>	Standard 120V
<b>DIMENSIONS</b>	24.25"W x 18.5"H
<b>LAMP</b>	1 x A19/Medium (E26)/75W/120V Incandescent 3 x B10/Candelabra (E12)/120V LED



**ITEM NUMBER** VEN16608

COMPANY	PROJECT	FIXTURE TYPE	APPROVED BY	DATE