

Lightology

lightology.com
866-954-4489
06-09-26

Project: _____

Company: _____

Location: _____ Fixture Type: _____

SPEC #: **VEN16771**

Approved On: _____ Approved By: _____

Scudo Saraceno Glass Ring Pendant By Venetian Designs



Description

Make a striking statement with the Scudo Saraceno Glass Ring Pendant, a contemporary reimagining of Medieval Saracen shields, meticulously crafted in Italy. This captivating pendant showcases exquisite glass, beautifully complemented by striking brass details, a decorative ring, and a sophisticated dark brown canopy - all united by a distinctive Turkish-Venetian motif. Available in a range of captivating glass types including White Classic, Silver Classic, Gold Classic, Red Mosaic, or Gold Mosaic (Note: Gold Mosaic is not available in the smallest size), the Scudo Saraceno Glass Ring Pendant offers exceptional versatility to match your design vision. It's an ideal centerpiece for entryways, over kitchen islands, or in living areas where you desire to infuse global flair and timeless elegance. Note: The overall height is not adjustable and must be specified to order.

Specifications

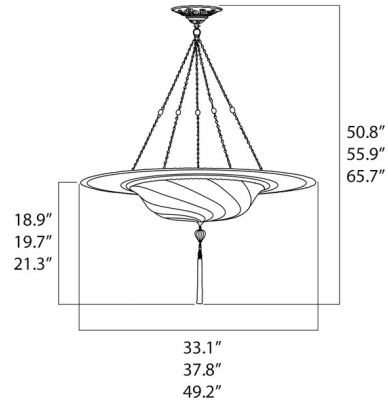
COLOR Gold Classic
BODY FINISH Brass
WATTAGE 100W
DIMMER Standard 120V
DIMENSIONS 33"W x 18.75"H
BULB NOT INCLUDED 1 x A19/Medium (E26)/100W/120V Incandescent
OTHER BULB OPTIONS 1 x A19/Medium (E26)/120V LED

Technical Information

PRODUCT DIMENSIONS Max Overall Length: 50.75"



Shown in brass / gold classic



CLICK TO VIEW PRODUCT

Notes: