



BRAND

Eurofase

DESCRIPTION

GU325 3.25 Inch 120 Volt Retrofit Remodel Housing is intended to be installed in an existing ceiling. Remodel housings are designed in a way that they can be inserted into the ceiling through the ceiling cut-out hole. One 50 watt, 120 volt MR16 type GU10 base halogen bulb (or LED equivalent) is required, but not included. Halogen dimmable with a standard incandescent dimmer, sold separately. Consult with bulb manufacturer for dimmer compatibility when using LED equivalent. ETL listed. 4 inch width x 4.63 inch height x 12.75 inch length. A complete fixture includes a housing and trim, sold separately.

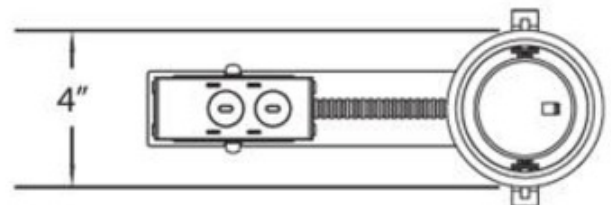
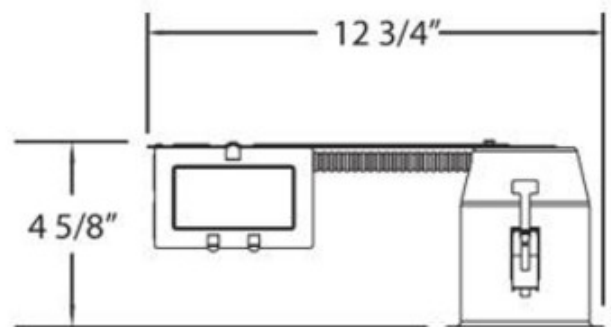


TRIM COLOR	N/A
BODY FINISH	Aluminum
WATTAGE	50W
DIMMER	Dimmable
DIMENSIONS	12.75"L x 4"W x 4.63"H
BULB NOT INCLUDED	
LAMP	1 x MR16/GU10/50W/120V Halogen 1 x MR16/GU10/120V LED

Technical Information

CEILING TYPE	Drywall with Trim
HOUSING TYPE	Remodel NON IC
HOUSING HEIGHT	5"
APERTURE SHAPE	Round

SPEC # EUFI84740



COMPANY	PROJECT	FIXTURE TYPE	APPROVED BY	DATE