



BRAND

Eurofase

DESCRIPTION

4 Inch MR16 GU10 120 Volt IC New Construction Housing can be used in any ceiling where there is insulation. This housing incorporates a box which creates an air space between the inner fixture and the insulation and allows for housing to be in direct contact with insulation. Unless there is access from above via the attic, the size of the box makes insulated housings suitable only for new construction applications. One 50 watt, 120 volt MR16 type GU10 base bulb (or LED equivalent) is required, but not included. Halogen dimmable with a standard incandescent dimmer, sold separately. Consult with bulb manufacturer for dimmer compatibility when using LED equivalent. ETL listed. 6 inch width x 24 inch length x 7.25 inch height. A complete fixture includes a housing and trim, sold separately.

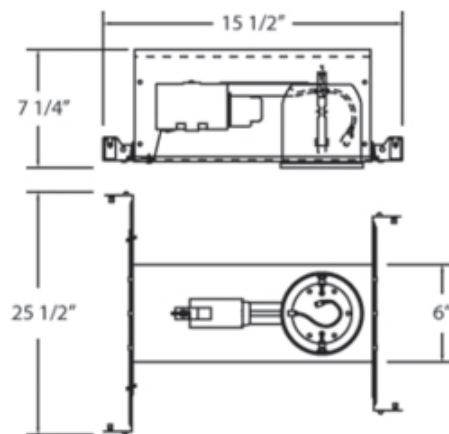


TRIM COLOR	N/A
BODY FINISH	Aluminum
WATTAGE	7W
DIMMER	Standard 120V
DIMENSIONS	15.5"L x 6"W x 7.25"H
BULB NOT INCLUDED	
LAMP	1 x MR16/GU10/7W/120V LED

Technical Information

CEILING TYPE	Drywall with Trim
HOUSING TYPE	New construction IC
HOUSING HEIGHT	8"
APERTURE SIZE	4.000"

SPEC # EUF184747



COMPANY	PROJECT	FIXTURE TYPE	APPROVED BY	DATE