

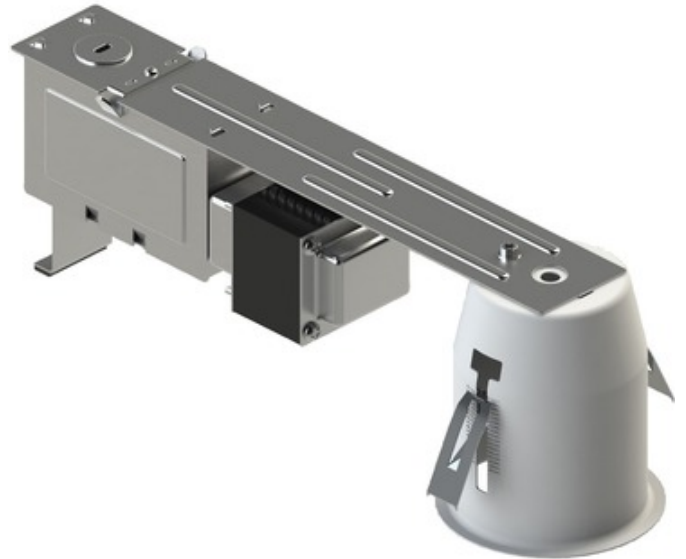


BRAND

Eurofase

DESCRIPTION

RH04 4 Inch 12 Volt Non-IC Remodel Housing is intended to be installed in an existing ceiling through the ceiling cut-out hole. Non-IC designation requires that insulation must be kept a minimum of 3 inches away from housing. 4.375 inch cut-out. Includes magnetic transformer. One 50 watt, 12 volt MR16 type GU5.3 base halogen bulb (or LED equivalent) is required, but not included. Dimmable with a low voltage magnetic dimmer, sold separately. Consult with bulb manufacturer for dimmer compatibility when using LED equivalent (must be compatible with a low voltage magnetic transformer). ETL listed. 4.38 inch width x 13.13 inch length x 5.25 inch height. A complete fixture includes a housing and trim, sold separately.

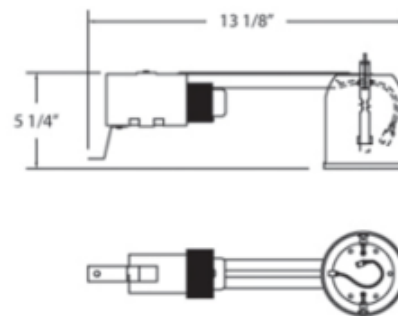


TRIM COLOR	N/A
BODY FINISH	White
WATTAGE	50W
DIMMER	Low Voltage Magnetic
DIMENSIONS	13.12"L x 4.38"W x 5.25"H
BULB NOT INCLUDED	
LAMP	1 x MR16/GU5.3 (bipin)/50W/12V Halogen 1 x MR16/GU5.3 (bipin)/12V LED

Technical Information

CEILING TYPE	Drywall with Trim
HOUSING TYPE	Remodel NON IC
HOUSING HEIGHT	6"
APERTURE SIZE	4.000"

SPEC # EUF184764



COMPANY	PROJECT	FIXTURE TYPE	APPROVED BY	DATE