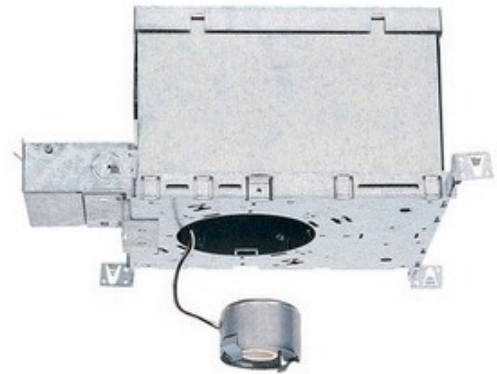




BRAND Lightolier by Signify

DESCRIPTION

Lytecaster 1000P1 5 Inch Non-IC Standard Frame-In Kit is made of 20 gauge galvanized steel and will accommodate existing ceilings up to 1 inch thick. Non-IC designation requires that insulation must be kept a minimum of 3 inches away from housing. UL listed. Suitable for damp locations. 14 inch width x 9 inch depth x 6 7/8 inch height. Lamp type and wattage dependent on frame-in kit/trim combination. A complete fixture includes a frame-in kit and a trim kit, sold separately.

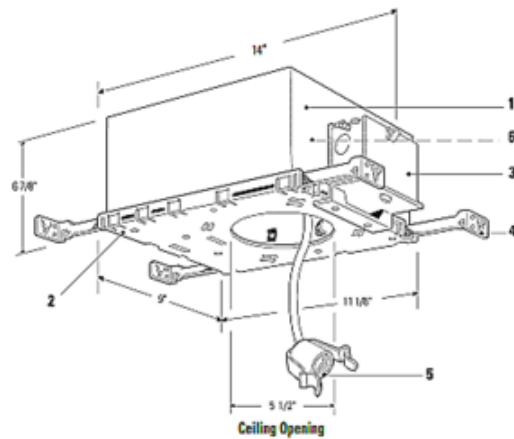


Shown in: Galvanized Steel

TRIM COLOR	N/A
BODY FINISH	Galvanized Steel
LAMP	1 x A19/Medium (E26)/72W/120V Incandescent 1 x A19/Medium (E26)/120V LED 1 x PAR30L/Medium (E26)/120V Halogen 1 x PAR30L/Medium (E26)/120V LED 1 x R20/Medium (E26)/120V Incandescent 1 x R20/Medium (E26)/120V LED 1 x BR30/Medium (E26)/120V Halogen 1 x BR30/Medium (E26)/120V Incandescent 1 x BR30/Medium (E26)/120V LED
WATTAGE	72W

Technical Information

CEILING TYPE	Drywall with Trim
HOUSING TYPE	New Construction NON IC
HOUSING HEIGHT	7"
APERTURE SIZE	5.000"
ITEM NUMBER	LTL18966



COMPANY	PROJECT	FIXTURE TYPE	APPROVED BY	DATE