



BRAND

Lightolier by Signify

DESCRIPTION

Lytecaster 6.75 Inch Incandescent Non-IC Frame-In Kit is made of galvanized steel. Non-IC designation indicates that insulation must be kept a minimum of 3 inches away from fixture sides and wiring compartments and must not be placed above fixture in a manner which will entrap heat. Accommodates all ceilings up to 1 inch thick. Four slots are positioned 90 degrees apart to simplify alignment. Push-in/twist-out rotoclips hold reflector flush to ceiling. UL listed for maximum of eight No. 12 gauge 90 degree C through branch circuit conductors. Quick release cover for outside access to wiring. Mounting bars extend 13 to 27 inches, rotatable and lockable, with integral T-bar tabs. UL listed. Suitable for damp locations. Ceiling cutout 6 13/16 inch diameter. Dimensions: 11.1 inch width x 9 inch depth. Overall height dependent on trim kit selection. A complete fixture includes a frame-in kit and trim kit, sold separately.

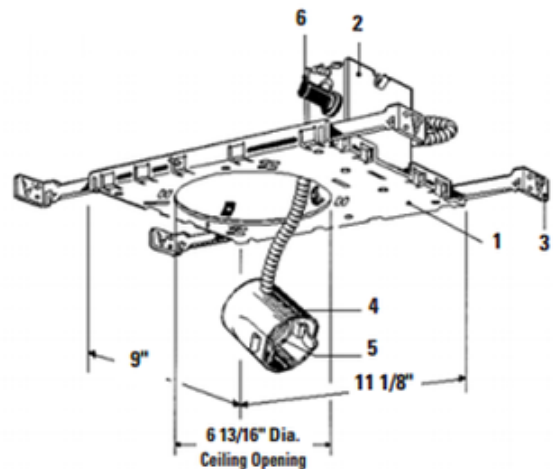


TRIM COLOR	N/A
BODY FINISH	N/A
WATTAGE	250W
DIMMER	Standard 120V
DIMENSIONS	11.1"W x 9"D
BULB NOT INCLUDED	
LAMP	1 x PAR38/Medium (E26)/250W/120V Halogen 1 x A19/Medium (E26)/100W/120V Incandescent

Technical Information

CEILING TYPE	Drywall with Trim
HOUSING TYPE	New Construction NON IC

SPEC # LTL19061



COMPANY	PROJECT	FIXTURE TYPE	APPROVED BY	DATE