

Lightology

lightology.com
866-954-4489
06-19-26

Project: _____
 Company: _____
 Location: _____ Fixture Type: _____
 SPEC #: **VEN1951**
 Approved On: _____ Approved By: _____

Scudo Saraceno Silk Pendant

By Venetian Designs



Description

Experience the refined artistry of the Scudo Saraceno Silk Pendant, a luxurious interpretation of Medieval Saracen shields crafted with delicate precision in Italy. This stunning pendant features exquisite silk, perfectly complemented by captivating details including genuine Murano beads, a sophisticated brass structure, and a deep dark brown canopy, all united by a unique Turkish-Venetian motif. Choose from a range of elegant patterns - Classic or Serpentine - available in an array of sophisticated hues: Gold, Salmon, Sage Grey, Ivory, or Light Blue. For a timeless look, select the Plain Ivory option. The Classic pattern features a subtle red line, adding a touch of distinctive character. Available in three sizes to perfectly suit your space, the Scudo Saraceno Silk Pendant adds a touch of global elegance and timeless design to any room. Note: The overall height is not adjustable and must be specified to order. Small Minimum/Maximum Height: 33 in. / 62.63 in. Medium Minimum/Maximum Height: 35.63 in. / 63.13 in. Large Minimum/Maximum Height: 37.63 in. / 64.38 in.

Specifications

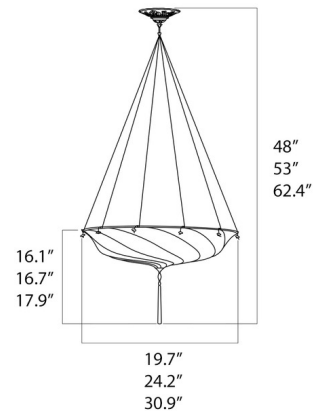
COLOR Ivory Classico
 BODY FINISH Brass
 WATTAGE 60W
 DIMMER Standard 120V
 DIMENSIONS 19.75"W x 16.14"H
 BULB NOT INCLUDED 1 x A19/Medium (E26)/60W/120V Incandescent
 OTHER BULB OPTIONS 1 x A19/Medium (E26)/120V LED

Technical Information

PRODUCT DIMENSIONS / Max Overall Height: Standard 48" / Min 33" / Max 62 5/8"



Shown in brass / ivory classico



CLICK TO VIEW PRODUCT

Notes: