

Tesla 3.5IN Remodel NIC Housing



Description:

Tesla 3.5 Inch LED Remodel Non IC Airtight Housing and junction box is made of 20 gauge steel with frame and hanger bars in heavy gauge galvanized steel. Insulation must be kept at least 3 inches away from housing. Three knockouts and three Romex style wiring connectors provided for ease of installation. Accommodates surfaces from .5 to 1 inch thickness. Rated for branch wiring. Includes electronic driver, 120-277V AC 50/60Hz input, 21.5 watt output. 4 5/8 inch cut out. ETL listed. 5 year warranty. 120 volt may be dimmed to 15 percent with an electronic low voltage dimmer, sold separately. 120-277 volt may be dimmed with a 0-10V dimmer, sold separately. Dimensions: 13.75 inch width x 4.4 inch depth x 6.6 inch height. A complete fixture consists of a housing and trim, sold separately.



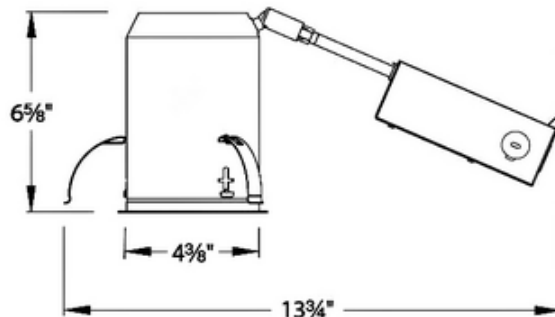
Shown in: Galvanized Steel

List Price: \$137.43
 Our Price: \$98.95

Shade Color: N/A
 Body Finish: Galvanized Steel
 Lamp: 1 x LED/21.5W/120V LED
 Wattage: 21.5W
 Dimmer: Low Voltage Electronic
 Dimensions: 13.75"W x 6.6"H x 4.4"D

Technical Information

Color Rendering: 85 CRI
 Ceiling Type: Drywall with Trim
 Housing Type: Remodel NON IC
 Housing Height: 7"
 Aperture Size: 3.500"



Product Number: WAC 196632			
Company:		Fixture Type:	Date: Dec 06, 2019
Project:		Approved By:	

#2306XX-REMODEL-007L1-XXXX

Fax: (773) 883-6131

Phone: 866-954-4489

Address: 1718 W. Fullerton Ave. Chicago IL 60614

www.Lightology.com