

Lightology

lightology.com
866-954-4489
06-16-26

Project: _____

Company: _____

Location: _____ Fixture Type: _____

SPEC #: **SGL203095**

Approved On: _____ Approved By: _____

Clarity Hugger Ceiling Fan With Light By Generation Lighting



Description

The Clarity Flush Mount Ceiling Fan brings a clean, sleek design to your interior space. Includes an MC-CT150 handheld/wall control combo. 44 inch features a 153mm x 12mm AC motor, three plywood blades, 3 speeds with remote control reverse switch, 42 inch blade sweep, and 12 degree blade pitch. Measured at high it has Airflow: 2405, Electric Energy Consumption: 39W, and Airflow Efficiency: 62 CFM/W. 52 inch features a 153mm x 18mm AC motor, three plywood blades, 3 speeds with remote control reverse switch, 52 inch blade sweep, and 12 degree blade pitch. Measured at high it has Airflow: 3682, Electric Energy Consumption: 51W, and Airflow Efficiency: 73 CFM/W. Note: 52 inch option is not available in Midnight Black.

Specifications

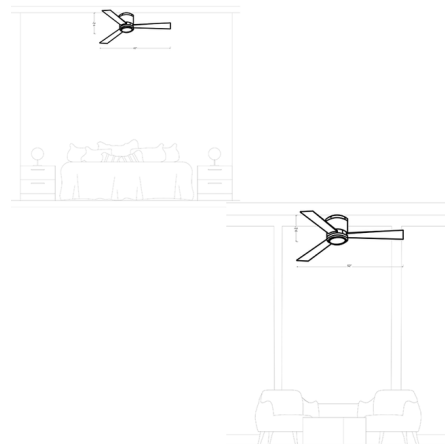
BLADE COLOR Matte White
BODY FINISH Brushed Steel / Silver
WATTAGE 20W
DIMMER Included
DIMENSIONS 52"W x 9.18"H
INTEGRATED LED MODULE 1 x LED/20W/120V LED
COUNTRY OF ORIGIN China

Technical Information

COLOR RENDERING 90 CRI
LAMP COLOR 2700K
LUMENS/WATT 47.50
LUMINOUS FLUX 950 lumens



Shown in brushed steel / silver / matte white



CLICK TO VIEW PRODUCT

Notes: