

Lightology

lightology.com
866-954-4489
04-24-26

Project: _____

Company: _____

Location: _____ Fixture Type: _____

SPEC #: **BVE206376**

Approved On: _____ Approved By: _____

Arthur Wall Sconce

By Brand Van Egmond

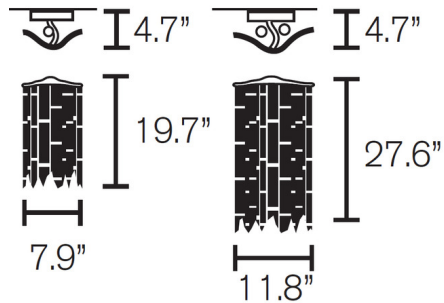


Description

The Arthur Wall Sconce is inspired by the namesake knight. Light shines through the curtain of metal pieces, in varying lengths hung off the frame, casting glorious shadows across your room. Available in two sizes. Each fixture is a unique, hand crafted piece, and comes with a certificate of authenticity.



Shown in nickel



Specifications

COLOR	N/A
BODY FINISH	Nickel
WATTAGE	4W
DIMMER	Standard 120V
DIMENSIONS	7.9"W x 19.7"H x 4.7"D
BULB NOT INCLUDED	1 x B10/Candelabra (E12)/4W/120V LED
OTHER BULB OPTIONS	1 x B10/Candelabra (E12)/120V Incandescent
COUNTRY OF ORIGIN	Netherlands



CLICK TO VIEW PRODUCT

Notes: