

# Lightology

lightology.com  
866-954-4489  
06-18-26

Project: \_\_\_\_\_

Company: \_\_\_\_\_

Location: \_\_\_\_\_ Fixture Type: \_\_\_\_\_

SPEC #: **VEN2108**

Approved On: \_\_\_\_\_ Approved By: \_\_\_\_\_

## Concubina Tempio Pendant

By Venetian Designs



### Description

The Concubina Tempio Pendant is a testament to luxurious design and impeccable craftsmanship, bringing unparalleled elegance and a sophisticated global touch to any interior. Handcrafted in Italy, this exquisite pendant features a striking interplay of larger squares and smaller triangles of either Ivory Classic or Ivory Plain silk. These artful silk panels are beautifully framed by rich wood, accented with lustrous brass details and vibrant fiery red threads, creating a truly mesmerizing visual. Elevate your living room, dining area, or grand foyer with this unique piece that seamlessly blends contemporary style with traditional artistry. The Concubina Tempio Pendant is more than just a light fixture; it's a work of art designed to captivate and inspire. Note: The overall height is not adjustable and must be specified at the time of order. Minimum/Maximum Height: 30.25 in. / 44 in.

### Specifications

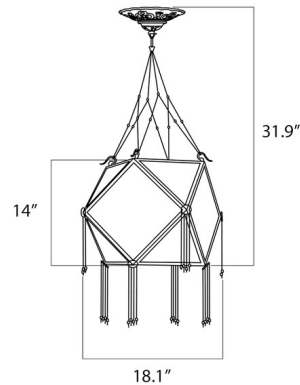
COLOR . . . . . Ivory Classic Silk  
BODY FINISH . . . . . Brass  
WATTAGE . . . . . 75W  
DIMMER . . . . . Standard 120V  
DIMENSIONS . . . . . 18.125"W x 31.9"H  
BULB NOT INCLUDED . . . . . 1 x A19/Medium (E26)/75W/120V Incandescent  
OTHER BULB OPTIONS . . . . . 1 x A19/Medium (E26)/120V LED

### Technical Information

PRODUCT DIMENSIONS . . . . . Max Overall Length: 31.925"



Shown in brass / ivory classic silk



CLICK TO VIEW PRODUCT

Notes: