

# Lightology

lightology.com  
866-954-4489  
06-04-26

Project: \_\_\_\_\_

Company: \_\_\_\_\_

Location: \_\_\_\_\_ Fixture Type: \_\_\_\_\_

SPEC #: **FOS213882**

Approved On: \_\_\_\_\_ Approved By: \_\_\_\_\_

## Le Soleil Pendant By Foscarini



### Description

Le Soleil Pendant features a White. Le Soleil is a luminous sphere made of irregular bands of opaque polycarbonate. The use of a material that does not reveal the light helps to create the special luminous effect of Le Soleil. UL Listed.

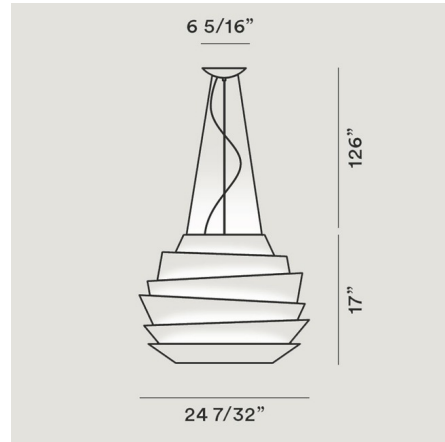
### Specifications

COLOR	White
BODY FINISH	N/A
WATTAGE	285W
DIMMER	Low Voltage Electronic
DIMENSIONS	126"L x 24.2"W x 17"H
BULB NOT INCLUDED	3 x A19/Medium (E26)/70W/120V Incandescent
BULB NOT INCLUDED	1 x MR16/GU10/75W/120V Halogen

Notes:



Shown in white



CLICK TO VIEW PRODUCT