

Lightology

lightology.com
866-954-4489
05-17-26

Project: _____

Company: _____

Location: _____ Fixture Type: _____

SPEC #: **FOS213895**

Approved On: _____ Approved By: _____

Tite One Pendant By Foscarini

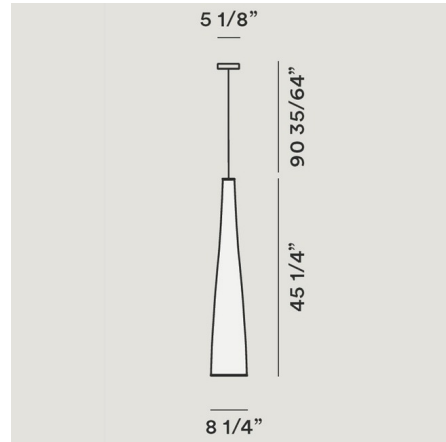


Description

Tite One Pendant is available in a Brushed Stainless Steel finish with a Black Carbon Thread shade. UL Listed.



Shown in brushed stainless steel / black



Specifications

COLOR	Black
BODY FINISH	Brushed Stainless Steel
WATTAGE	100W
DIMMER	Low Voltage Electronic
DIMENSIONS	90.5"L x 8.25"W x 45.25"H
BULB NOT INCLUDED	1 x A19/Medium (E26)/100W/120V Incandescent



CLICK TO VIEW PRODUCT

Notes: